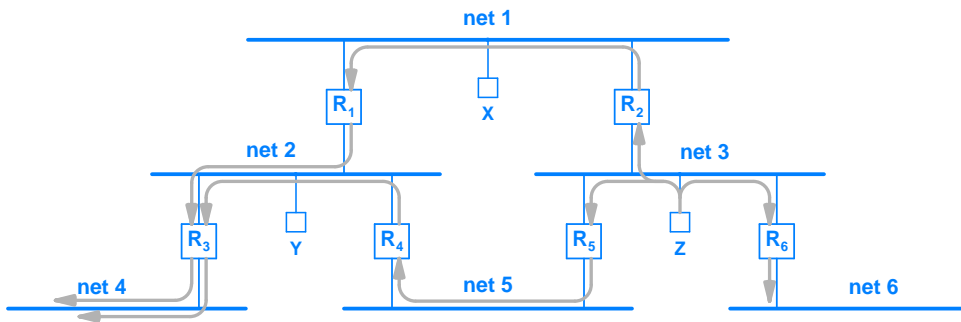


(a)



(b)

**Figure 15.16** Examples of paths a multicast datagram follows under TRPF assuming the source is (a) host X, and (b) host Z, and the group has a member on each of the networks. The number of copies received depends on the source.